

E4 **FWD** 1/10 ELECTRIC RACING CAR



NO. 507010 **KIT**

— INSTRUCTION & SETUP MANUAL —



THE POWER OF TEAM MAGIC

E4 FWD 507010 1/10 FWD ELECTRIC RACING CAR

THANK YOU FOR CHOOSING THE TEAM MAGIC 1/10 E4 FWD ELECTRIC RACING CAR.

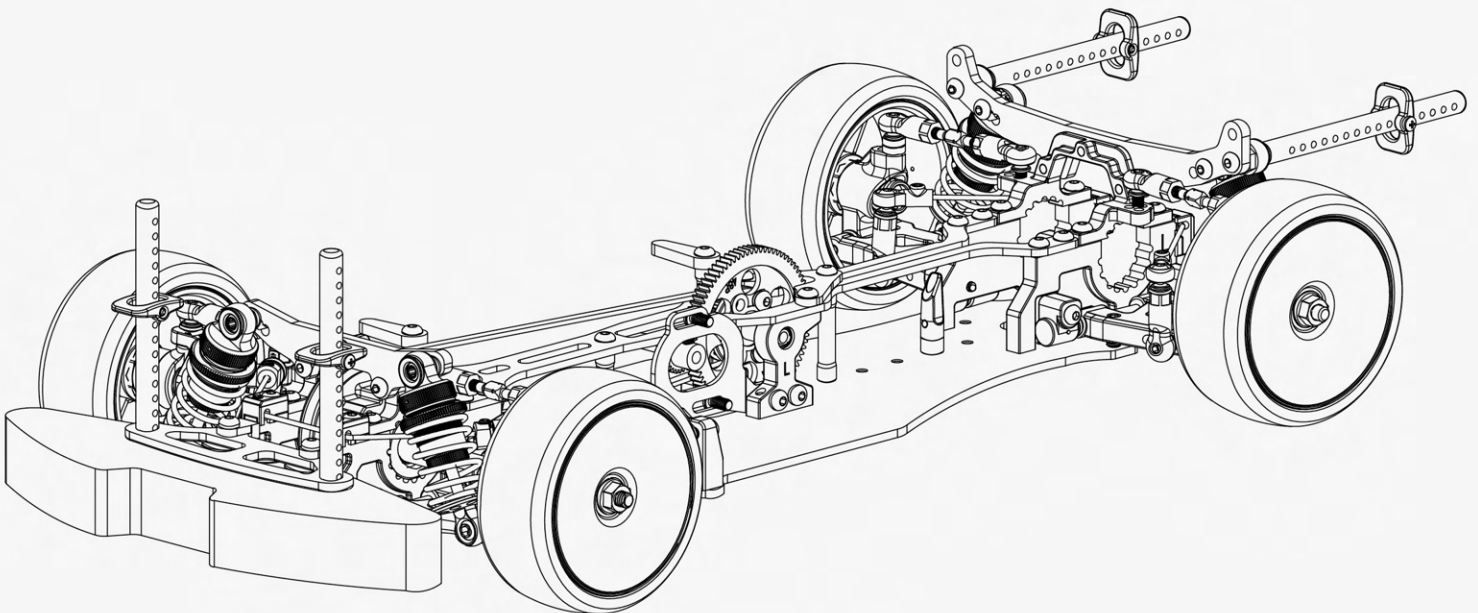
— The 1/10 E4 FWD ELECTRIC RACING CAR which is assembled with the top-quality parts and tough structures to present the performance and durability. Before you start, we suggest reading through the instruction manual first. Hopes you have fun and enjoy our product.

— GENERAL OPERATION TIPS

- Read the instruction manual before operating.
- Clear a work area and try to work on a light color towel to avoid missing dropped parts.
- Do not over-tighten fasteners. Over-tightening screws or nuts may be causing damage to parts.
- Please drive it slowly and feel the resistance force's feedback.
- If parts do not fit together, please double-check if it is correct with the assemble position or the combination parts.
- If you cannot figure out what is wrong with your device, please contact with dealers, the distributor, or Team Magic directly.
- Using the right tools makes assembly or fixing much easy.

— Choose **A GOOD DEALER** is extremely important!!

A good hobby dealer helps you to deal with most problems you might encounter.

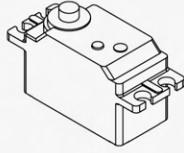


1 Required Items

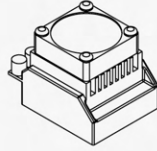
● Transmitter



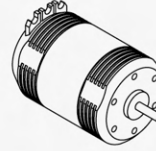
● Servo



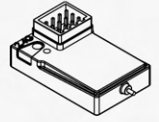
● ESC



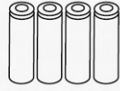
● Motor



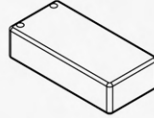
● Receiver



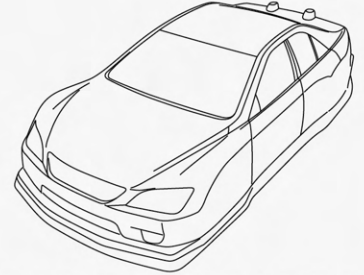
● AA Battery
(For Transmitter)



● LiPo Battery

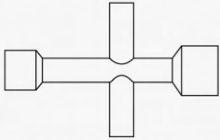


● Body Shell



2 Helpful Items

● Cross Wrench
(4.0, 5.0, 5.5 & 7.0mm)
#116043



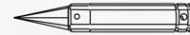
● HC Flare Nut Wrench
(2.6, 3.5, 4.5 & 6.0mm)
#117101



● Hobby Knife



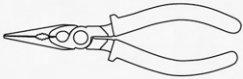
● HC Body Reamer
(0-18mm)
#117030



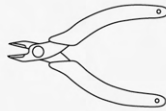
● Caliper



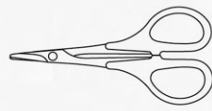
● Needlenose Pliers



● Cutting Pliers



● Body Scissors
#116006



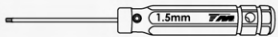
● Small Phillips Screwdriver



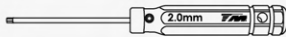
● 4.0mm HC Carb Tuning
Slotted Screw Driver
#117023



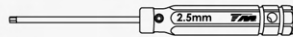
● 1.5mm HC Hex Wrench
Metric Size
#117002-1M



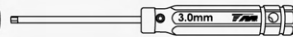
● 2.0mm HC Hex Wrench
Metric Size
#117002-2M



● 2.5mm HC Hex Wrench
Metric Size
#117002-3M



● 3.0mm HC Hex Wrench
Metric Size
#117002-4M



● 8.0mm
HC Metric Nut Driver
(for Glow Plug & 5mm Nut)
#117012



● 5.0mm
HC Metric Nut Driver
(for Ball Stud Nut)
#117009



● 5.5mm
HC Metric Nut Driver
(for 3mm Nut)
#117010



● 6.0mm
HC Metric Nut Driver
(for 3mm Nut)
#117014



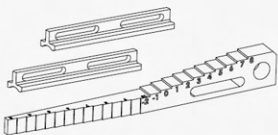
● 7.0mm
HC Metric Nut Driver
(for 4mm Nut)
#117011



● 10.0mm
HC Metric Nut Driver
(for Push Type Clutch Nut)
#117013



● Hard Coated
Alum. Ride Height &
Droop Gauge
#116039-2



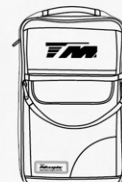
● 1/10 Cambertoe Setup
Gauge (4mm Wheel Shaft)
#H7101



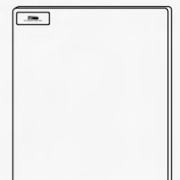
● TM 1/8 Supra Car Bag
#119238



● TM Transmitter Bag
#119206



● 1/10 Set Up Board
(420x360mm)
#116051



A Chassis & Front/Rear Bulkhead

X3 126306 3x6mm Screw

X12 116308 3x8mm Screw

B Middle Spur Gear Set

X3 126304BU 3x4mm Screw

X1 116238 2x12.8mm Pin

X1 116203 5.0mm E-clip

X2 150510ST 5x10x4mm Steel Bearing

C Front Differential Set



116308
3x8mm Screw

X4



116228
2x9mm Pin

X2



130129
5.2x12x0.2 Washer

X2



152005
4.7x1.4mm O-Ring

X2



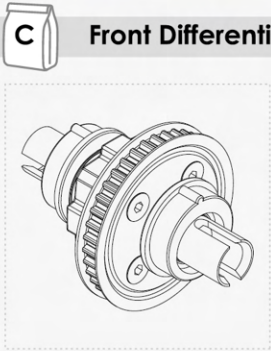
130131
3.1x8x0.1mm Washer

X4

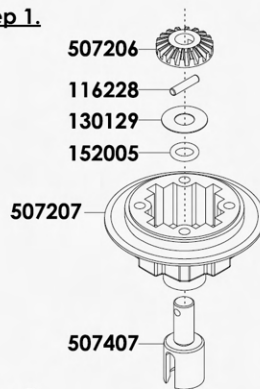


151015ST
10x15x4mm
Steel Bearing

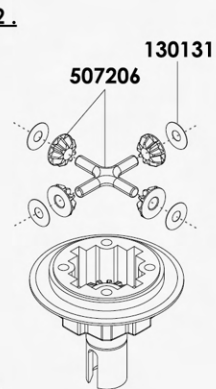
X2



Step 1.



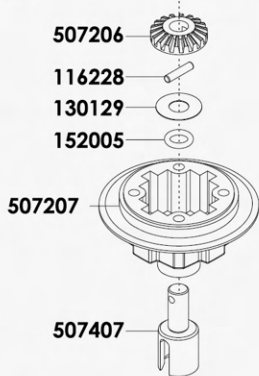
Step 2.



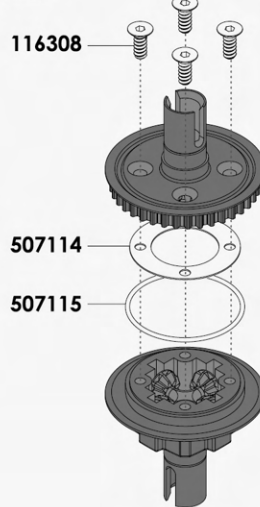
Step 3.



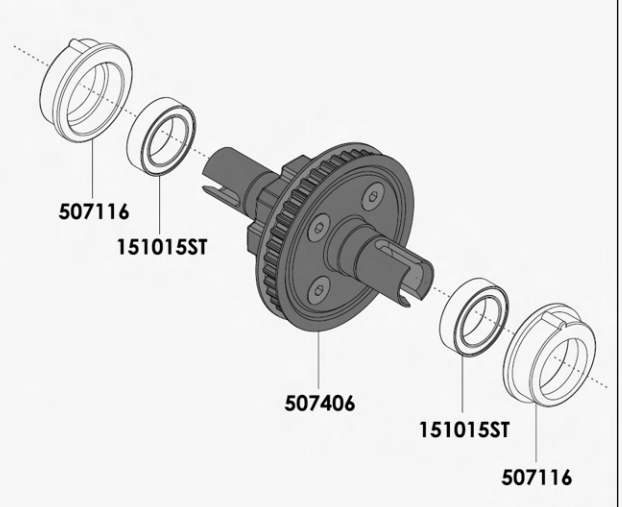
Step 4.



Step 5.



Step 6.

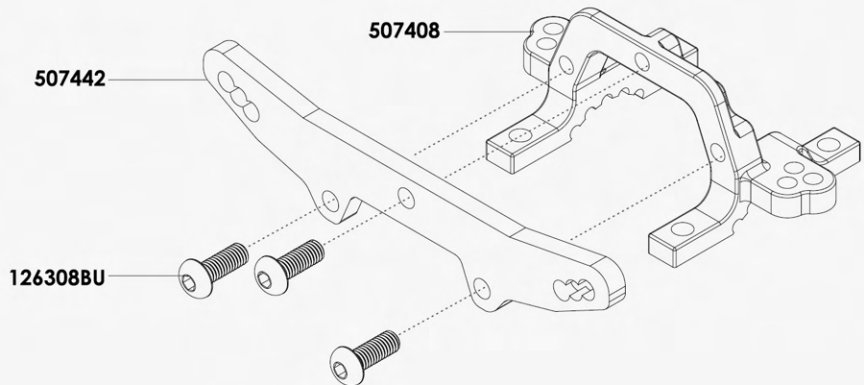
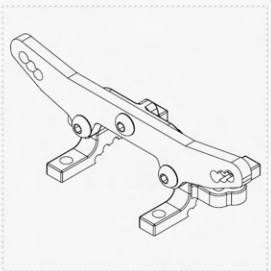


D Front Shck Tower & Bulkhead Upper Mount



126308BU
3x8mm
Button Head Screw

X3

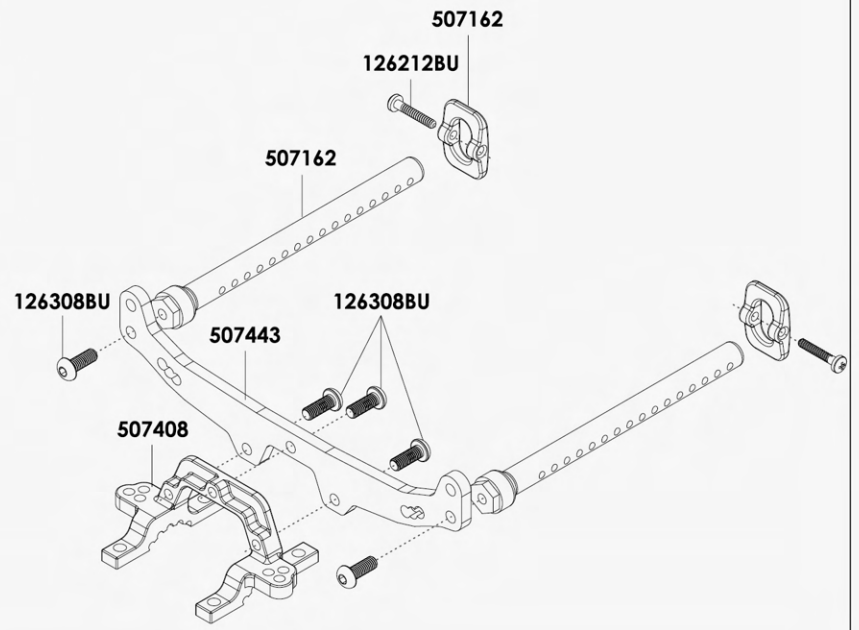
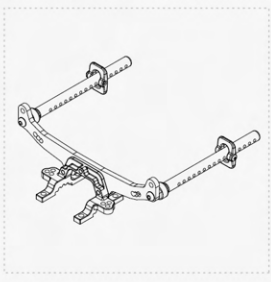


E Rear Shck Tower & Bulkhead Upper Mount





- X5**

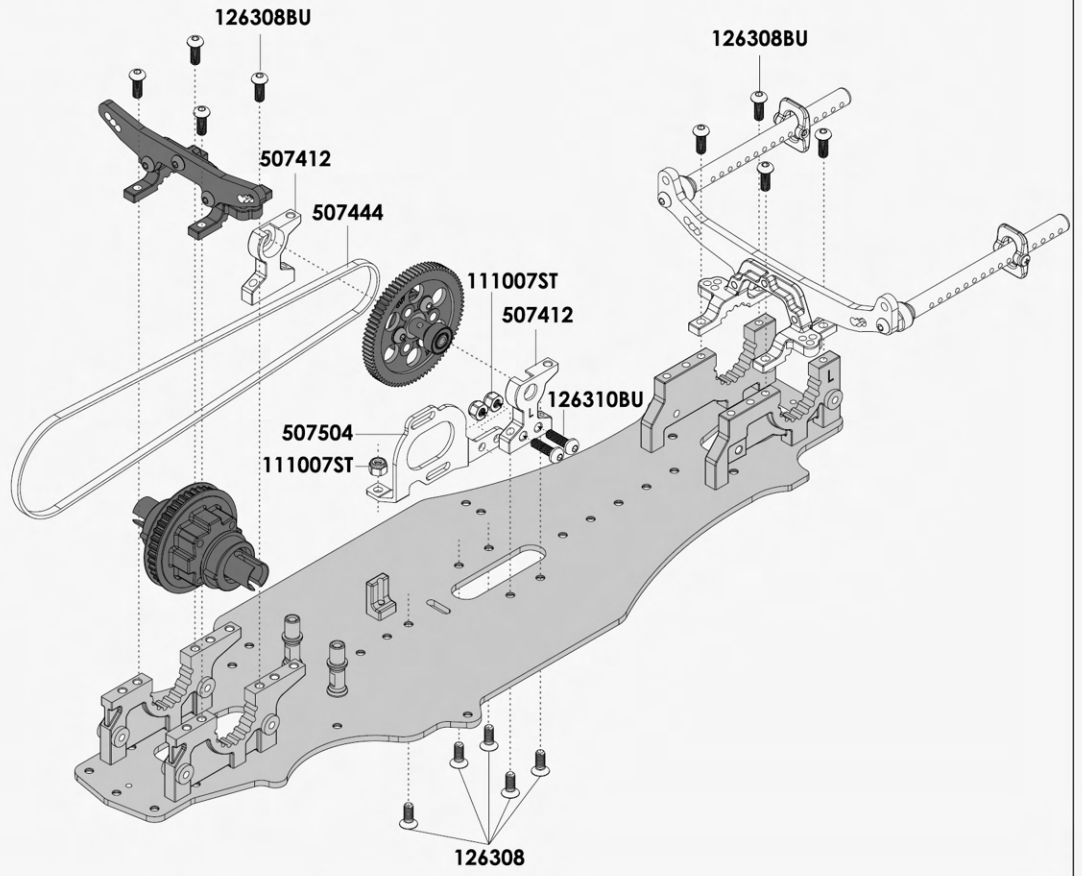
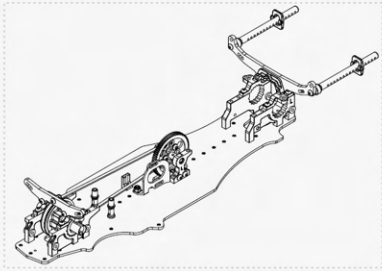
126308BU
 3x8mm
 Button Head Screw
- X2**

126212BU
 2x12mm BH Screw









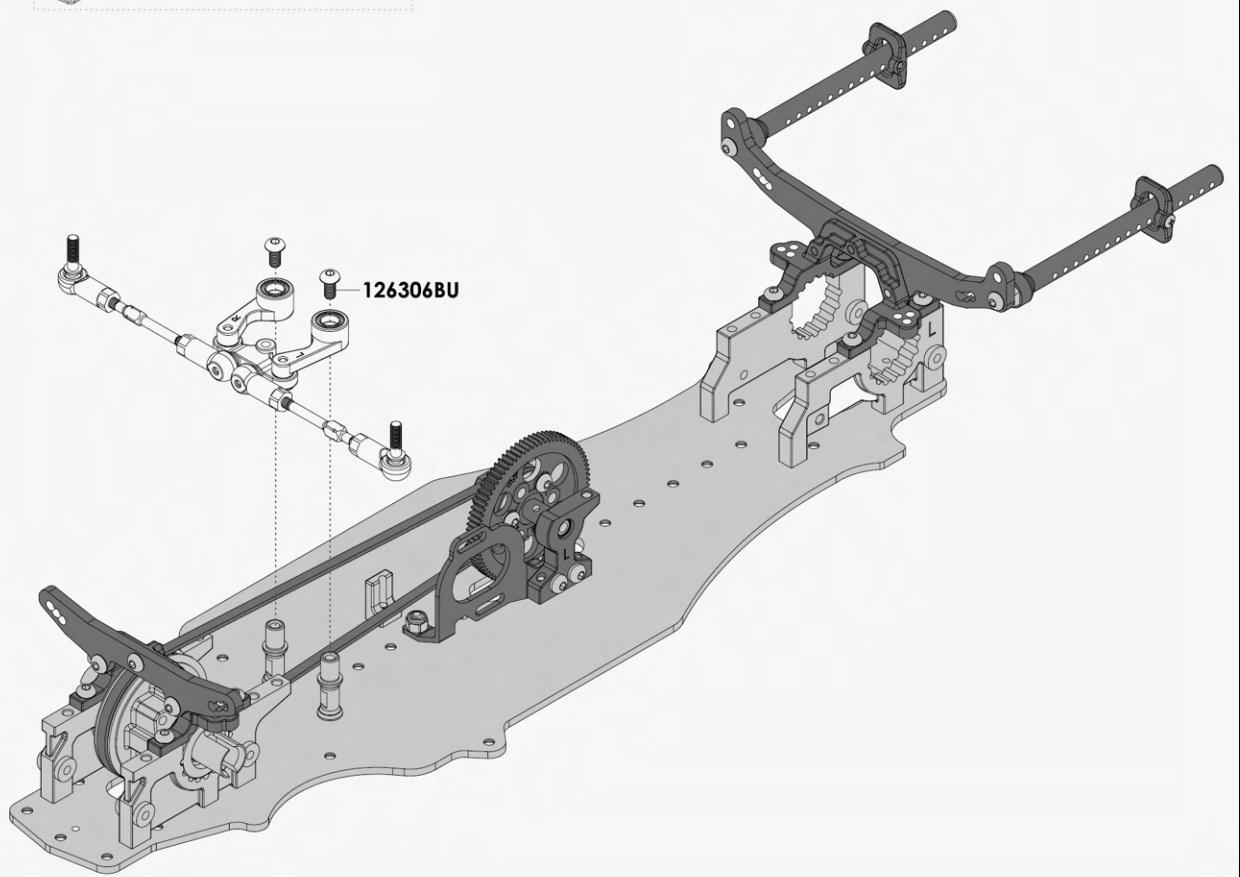
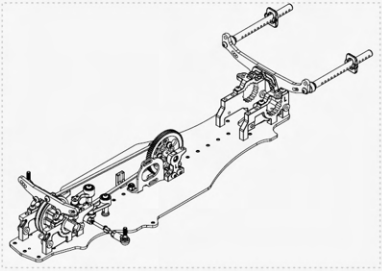
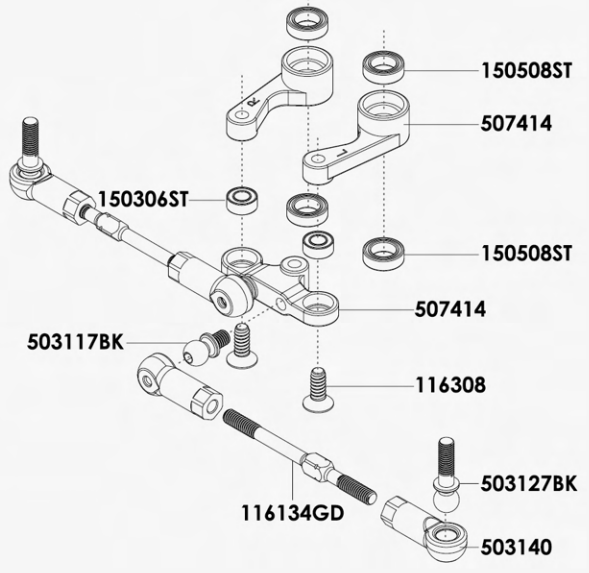
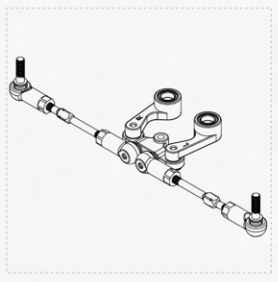
F Middle Spur Gear Set







- X2**

126308
 3x8mm
 Steel F.H. Screw
- X8**

126308BU
 3x8mm
 Button Head Screw
- X2**

126310BU
 3x10mm Screw
- X3**

111007ST
 3mm Steel Locknut



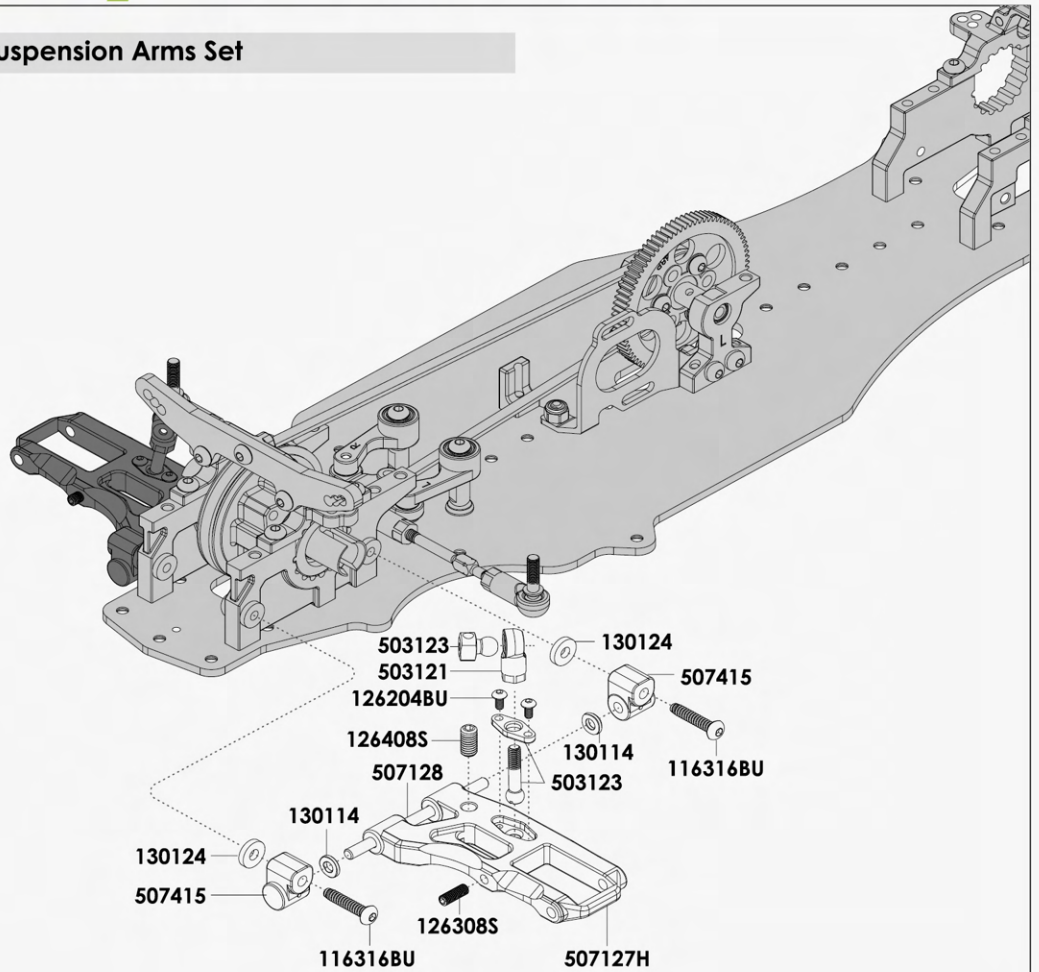
G Front Dual Steering Arm Set







- X4**  **150508ST**
5x8x2.5mm
Steel Bearing
- X2**  **150306ST**
3x6x2.5mm
Steel Bearing
- X2**  **116308**
3x8 mm Screw
- X2**  **503127BK**
5x10mm Ball Stud
- X2**  **503117BK**
5x4mm Ball Stud
- X2**  **126306BU**
3x6mm Screw



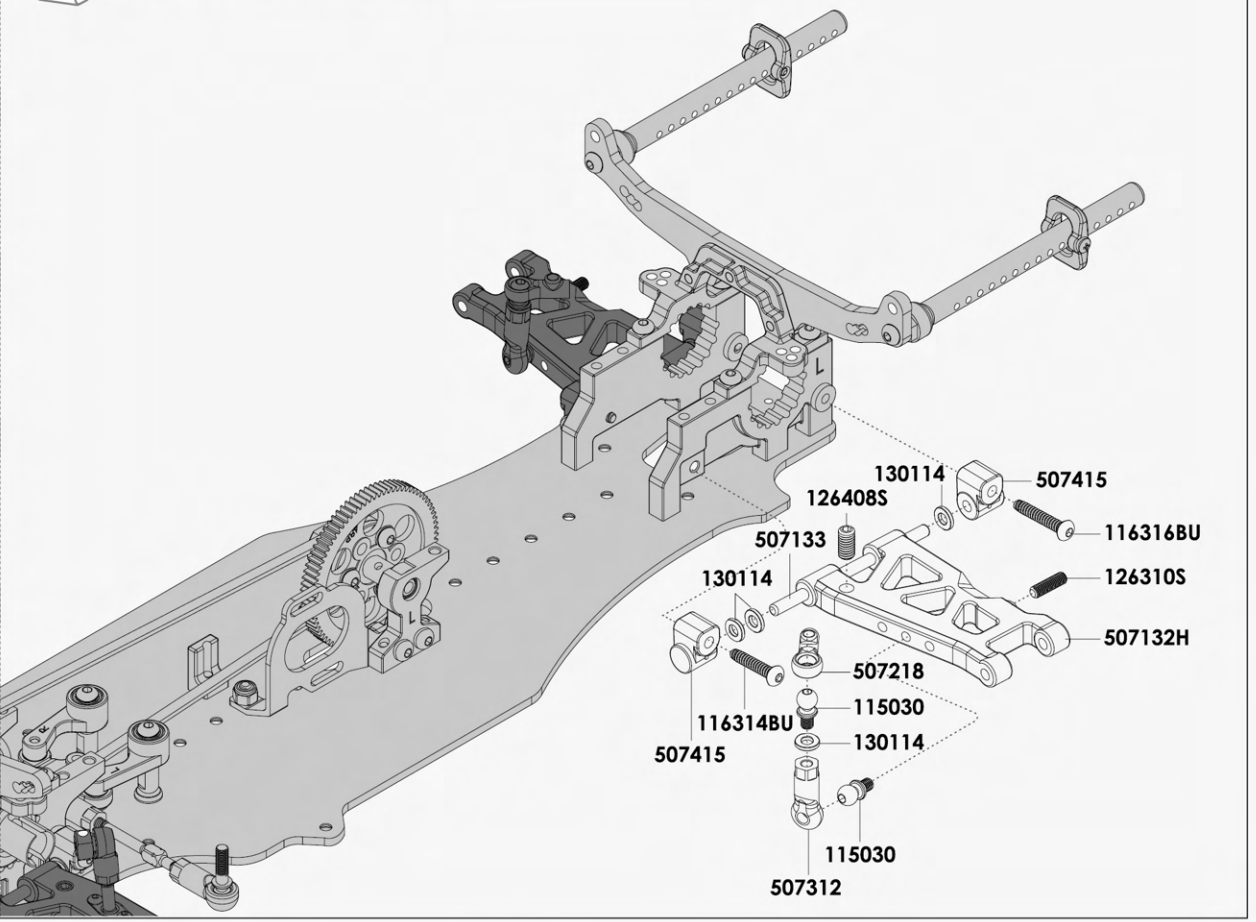
- X2**

126308S
 3x8mm Set Screw
- X2**

126408S
 4x8mm Set Screw
- X4**

126204BU
 2x4mm Steel
 Button Head Screw
- X4**

116316BU
 3x16mm Button
 Steel F.H. Screw
- X4**

130114
 3X6X1mm Washer
- X4**

130124
 3x7.5x1.5mm Washer

H Front Suspension Arms Set



- X2**

126310S
 3x10mm Set Screw
- X2**

126408S
 4x8mm Set Screw
- X2**

116314BU
 3x14mm Button
 Head Screw
- X2**

116316BU
 3x16mm Button
 Steel F.H. Screw
- X6**

130114
 3X6X1mm Washer
- X4**

115030
 5x4mm Ball Stud

I Rear Suspension Arms Set



J Front Steering Systems Set (L/R)

- X2** 116240 2x9.8mm Pin
- X6** 150510ST 5x10x4mm Steel Bearing
- X2** 507234-7 5x10x3mm Steel Bearing
- X4** 507234-6 1.5x8.15mm Pin
- X2** 111165 3mm Flanged Nut
- X2** 116310BU 3x10mm Button Head Screw
- X2** 507234 Nunchaku Type Universal Driveshaft
- X2** 507362 Left/Right Caster Block 4°

507312, 116133GD, 507312, 115030, 503127BK, 130114, 507136, 507234-6, 507141, 111165, 126303S, 507234-1, 507234-4, 507234-5, 507234-3, 507363, 507234-2, 507234-4, 116310BU, 507136, 507234-2, 507234-4, 150510ST, 116240, 507417

K Rear Steering Systems Set (L/R)

- X2** 130114 3X6X1mm Washer
- X4** 503127BK Steering Block 5x10mm Ball Stud
- X4** 115030 5x4mm Ball Stud
- X4** 126303S 3x3mm Set Screw
- X4** 116219 3X6X2mm Washer

507312, 115030, 116133GD, 507312, 503127BK, 116219, 116206, 507416-3, 150510ST, 507142, 150510ST, 507417, 507143, 126303S

L Front & Rear Anti-roll Bars Set

126303S
3x3mm Set Screw

126304S
3x4mm Set Screw

126308BU
3x8mm
Button Head Screw

126304S
126308BU

507221

507258

507221
126303S

507258
Front Anti Roll Bar

507261
Rear Anti Roll Bar

1.3mm

1.1mm

M Servo & Upper Deck Set

503117
5x4mm Ball Stud

503138BK
5x7mm Ball Stud

126306BU
3x6mm Steel Button
Head Screw

126308SE
3x8mm Steel Flat
Round Screw

116308
3x8mm Screw

126308
3x8mm
Steel F.H. Screw

126308BU
3x8mm
Button Head Screw

507445

507252

507447

126308

116308

126308SE

116132GD

130125

503138BK

503275

507446

503117

503140

507147 (Futaba)
507148 (Ko.Sanwa)


126306BU

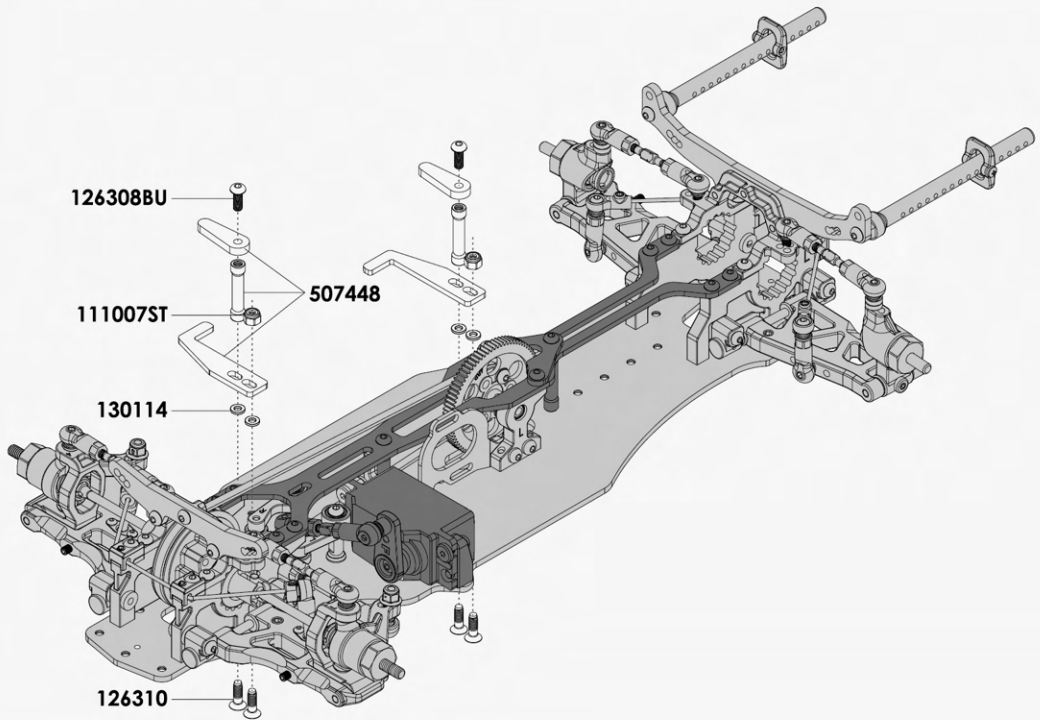
126308BU

130114


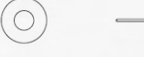


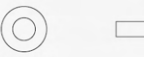

126308

N Quick Release Battery Holder Set

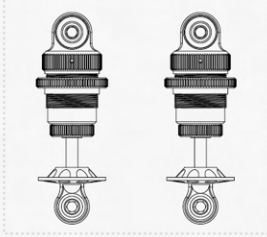
- X2**  126308BU
3x8mm
Button Head Screw
- X2**  111007ST
3mm Steel Locknut
- X4**  130114
3X6X1mm Washer
- X4**  126310
3x10mm
Steel F.H. Screw



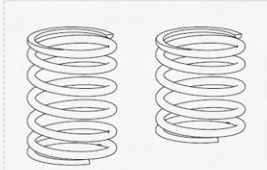
O Front & Rear LCG Shock Absorbers Set

- X4**  116227
2.0mm E-clip
- X4**  130130
2.6X6X0.3mm Washer
- X4**  152012
13x16x1.5 O-RING
- X4**  152013
2.9x6.9x2 O-RING
- X2**  116219
3x6x2mm
Alum. Washer
- X4**  126308BU
3x8mm
Button Head Screw

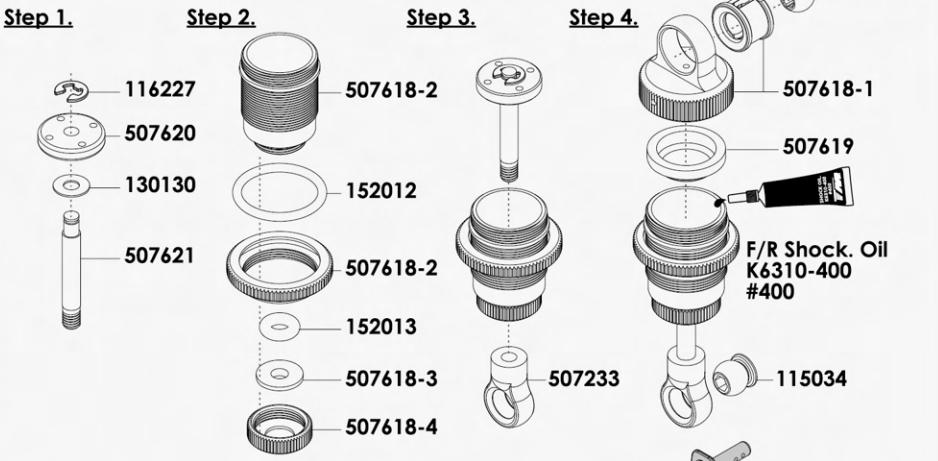
507618 Shock Absorbers



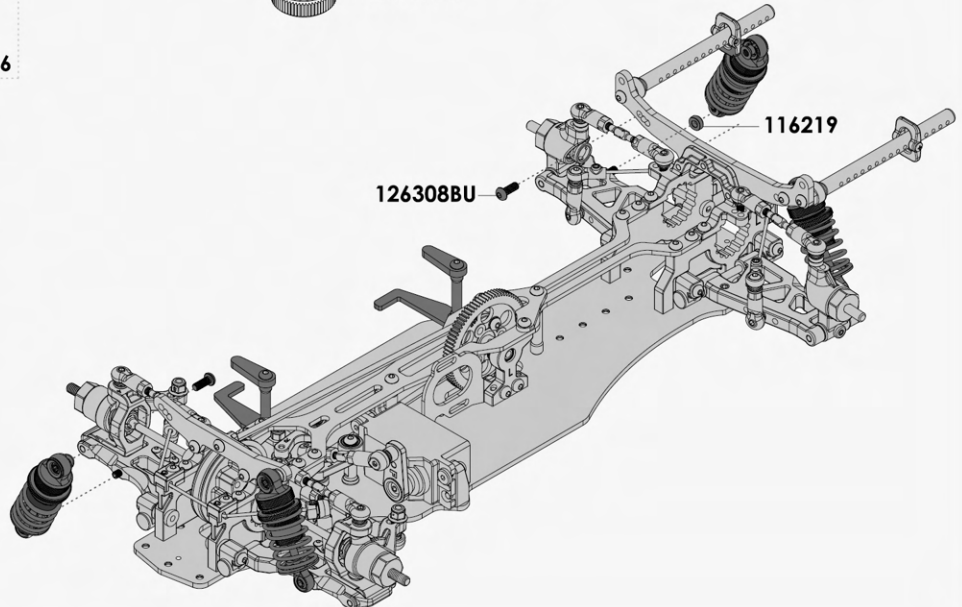
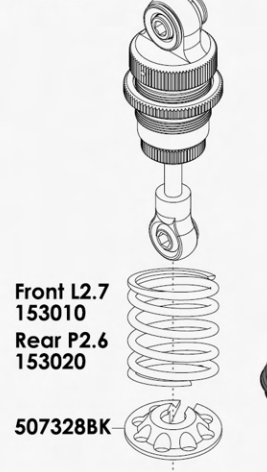
F/R Springs Set



Front L2.7 153010 Rear P2.6 153020
Rear P2.6 153010-L2.7 153020-P2.6



Step 5.

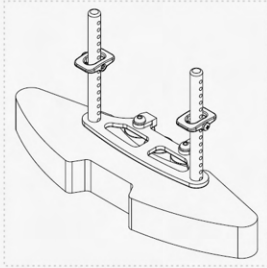


P Front Bumper and Balancing System Set

X2



126212BU
2x12mm
Button Head Screw



X2



126310BU
3x10mm
Button Head Screw

X3

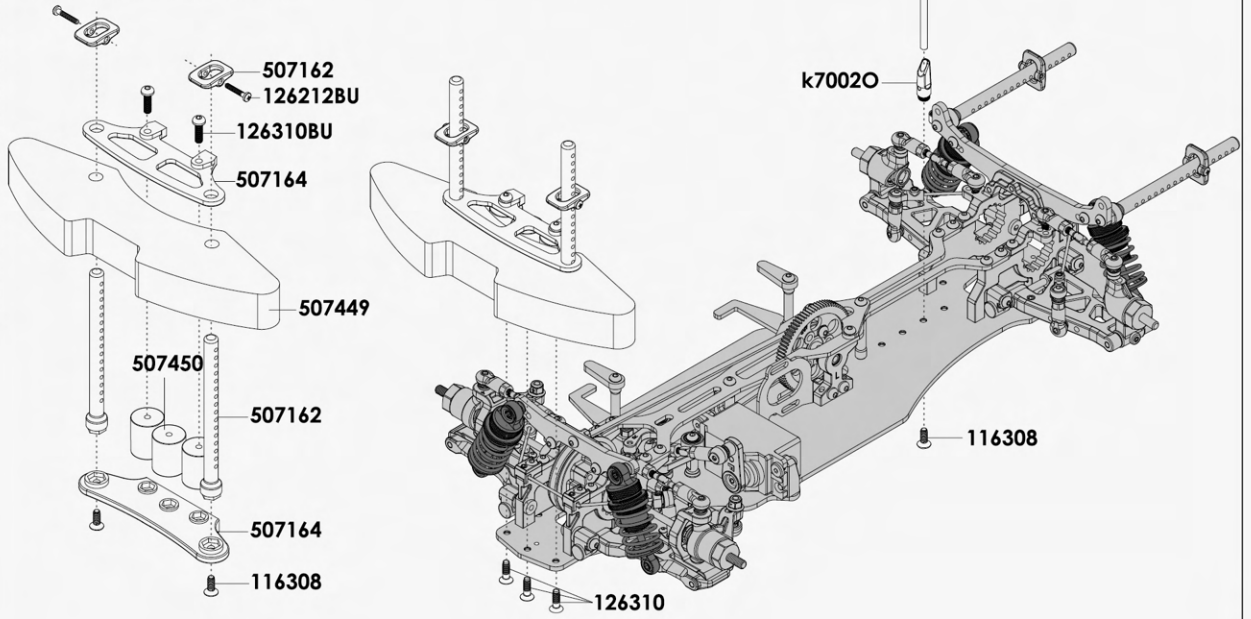


116308
3x8mm
Steel Screw

X3



126310
3x10mm
Steel F.H. Screw



X2

Q Tyres and Electronic System Set

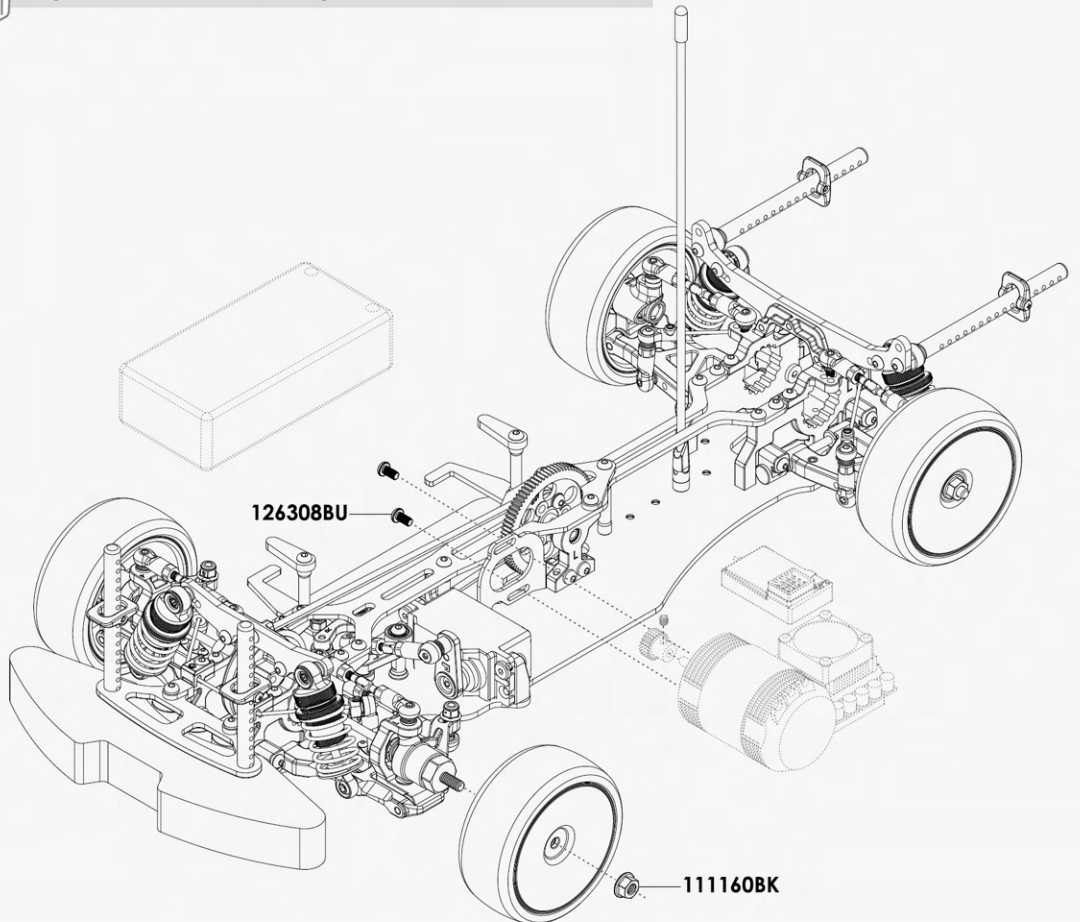


126306BU
3x6mm Screw

X4



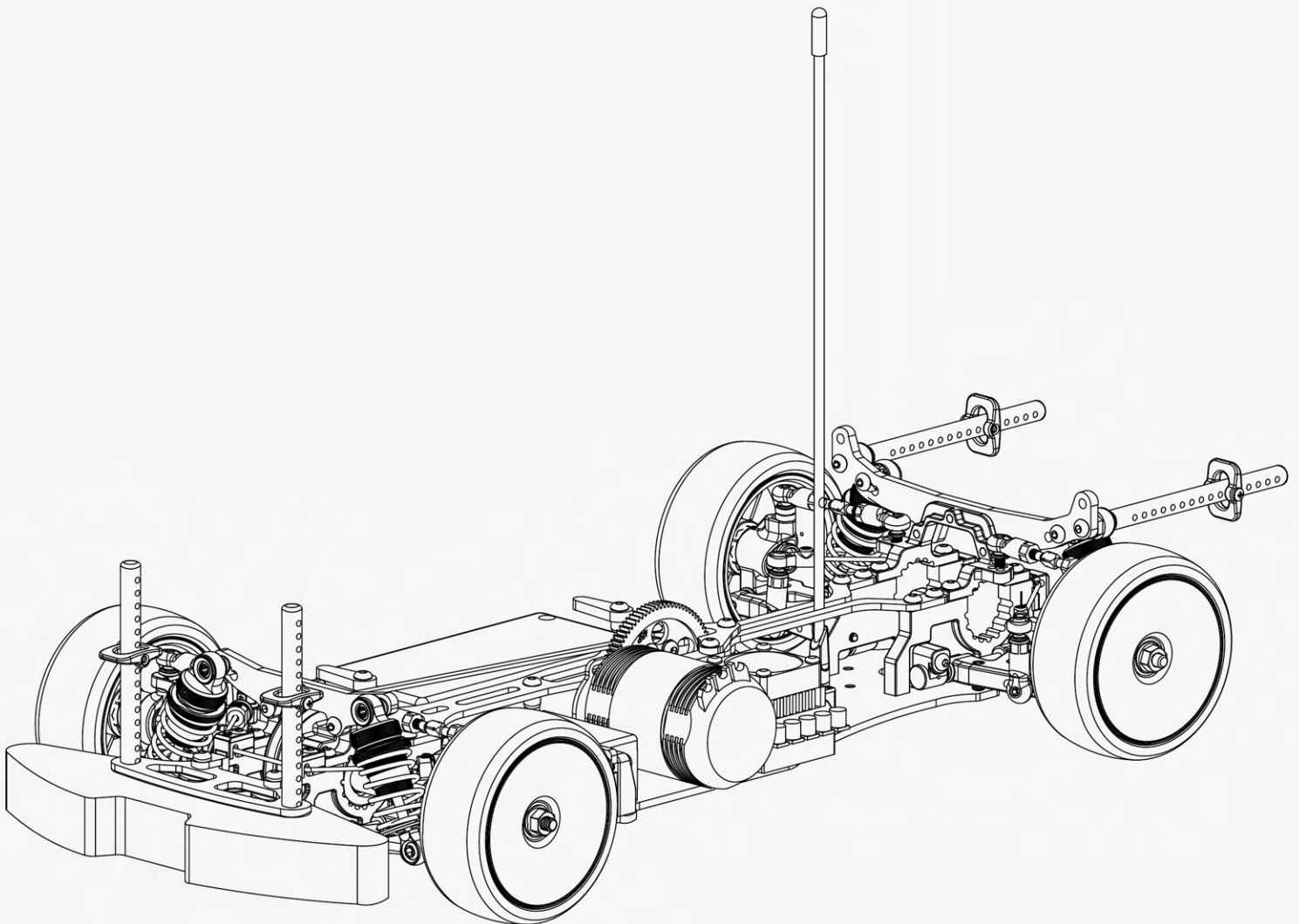
111160BK
4mm Wheel Lock Nut





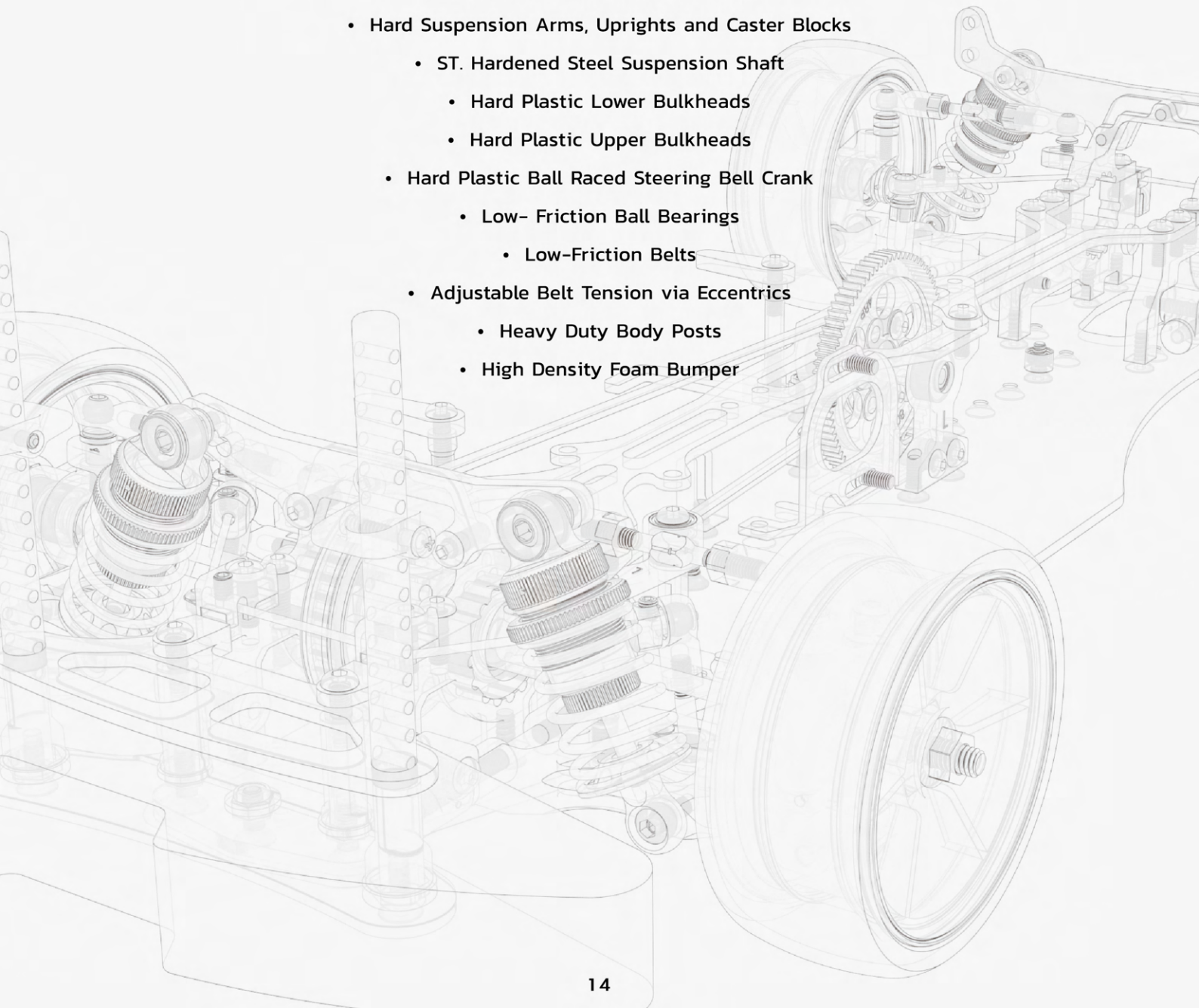
E4 FWD 507010

1/10 FWD ELECTRIC RACING CAR



NO.	DESCRIPTION	NO.	DESCRIPTION	NO.	DESCRIPTION
111007ST	3.0mm Steel Locknut (10)	151015ST	10x15x4mm Steel Bearing (4)	507234-7	5x10x3mm Bearing for Nunchaku (2)
111160BK	4.0mm Special Wheel Lock Nut-BK (4)	152005	4.7X1.4mm O-Ring (10)	507252	Middle Flex Post
111165	3.0mm Flanged Nut (10)	152012	13x16x1.5mm O-Ring (4)	507258	1.3mm Front Anti Roll Bar
115016Y	Antenna Rod -Y (2)	152013	2.9x6.9x2mm O-Ring (8)	507261	1.1mm Rear Anti Roll Bar
115030	5x4mm Ball Stud(10)	153010-L2.7	Shock Springs Linear- 14x22.5x1.5mm-L2.7	507312	5.0mm Ball Cup (6)
115033	5.8mm Hex Socket Steel Ball-Long (6)	153020-P2.6	Shock Springs Progressive- 14x22.5x1.4mm-P2.6	507328BK	Lower Spring Cups W/ Lowered Spring Height (4)
115034	5.8mm Hex Socket Steel Ball-Short (6)	503117	5x4mm Ball Stud (6)	507362	Caster Block 4° -H.D. Material(2)
116132GD	3x20mm H.D. Adjustable Rod -GD (2)	503117BK	5x4mm Ball Stud-BK (6)	507363	Steering Block (2)
116133GD	3x30mm H.D. Adjustable Rod -GD (2)	503121	Short Ball Cup (6)	507402	Front Bulkhead (2)
116134GD	3x40mm H.D. Adjustable Rod -GD (2)	503123	Alum. Anti-Roll Bar Ball (4)	507404	Rear Bulkhead(2)
116203	5.0mm E-clip (10)	503127BK	5x10mm Steering Block Ball Stud-BK (4)	507405	48P/80T Spur Gear
116206	2x10mm Pin (10)	503138BK	5x7mm Ball Stud-BK (6)	507406	Gear Diff. Set
116219	3x6x2mm Washer (6)	503140	5.0mm Long Ball Cup (6)	507407	Differential Cup (2)
116227	2.0mm E-clip (10)	503275	Servo Mount	507408	Bulkhead Upper Mount
116228	2x9.0mm Pin(10)	507108	Alum. Steering Post (2)	507412	Middle Shaft Mount
116238	2x12.8mm Pin (10)	507109	Alum. Spur Gear Holder	507414	Dual Steering Arm Set
116240	2x9.8mm Pin (10)	507110	20T Pulley (2)	507415	Hinge Pin Mount (2+2)
116308	3x8mm S.F.H. Self-Tapping Screw (6)	507114	Diff. Case Gasket (4)	507416-3	Universal Driveshaft Outdrive (2)
116308BU	3x8mm S.B.H Self-Tapping Screw (6)	507115	Diff. Case O-ring (4)	507417	Wheel Adapter (4)
116310BU	3x10mm S.B.H Self-Tapping Screw (6)	507116	Belt Tension Adjuster (4)	507441	E4 FWD Chassis
116314BU	3x14mm S.B.H Self-Tapping Screw (6)	507127H	Front Suspension Arm-H.D. Material (2)	507442	E4 FWD Front Shock Tower
116316BU	3x16mm S.B.H Self-Tapping Screw (6)	507128	Front Suspension Pin (2)	507443	E4 FWD Rear Shock Tower
126204BU	2x4mm S.B.H Screw (6)	507132H	Rear Suspension Arm-H.D. Material (2)	507444	E4 FWD Belt
126212BU	2x12mm S.B.H Screw(10)	507133	Rear Suspension Pin (2)	507445	24mm Middle Flex Post
126303S	3x3mm Set Screw (6)	507136	Bushing For Caster Block	507446	E4 FWD Upper Deck
126304BU	3x4mm S.B.H Screw(10)	507141	Caster Block Pin (2)	507447	E4 FWD Upper Deck Reinforcement
126304S	3x4mm Set Screw (6)	507142	Rear Hub Carrier (2)	507448	E4 FWD Battery Mount Set
126306	3x6mm S.F.H. Screw (6)	507143	Rear Hub Carrier Pin (2)	507449	E4 FWD Sponge Bumper
126306BU	3x6mm S.B.H Screw (6)	507147	Servo Arm (Futaba) (2)	507450	E4 FWD Front Balancing Clump Weight
126308	3x8mm Steel F.H. Screw (2)	507148	Servo Arm (Ko,Sanwa) (2)	507504	Motor Mount
126308BU	3x8mm Set Screw (10)	507162	Front Body Support (2)	507505	Battery Mount
126308S	3X8mm S.B.H Screw (10)	507164	Bumper Mount Set	507618	Shock Absorber Set (2)
126308SE	3x8mm S.F.R Servo Mount Screw (6)	507206	Light Weight Bevel Gear Set (4)	507618-1	Shock Upper Cap (2)
126310	3x10mm S.F.H. Screw (6)	507207	Light Weight Diff. Case	507618-2	Shock Body Set (2)
126310BU	3x10mm S.B.H Screw (6)	507218	Anti-Roll Bar Ball Cup (4)	507618-3	Shock Guides Set (4)
126310S	3x10mm Set Screw (6)	507221	Anti-Roll Bar Holder (4)	507618-4	Shock Lower Cap (2)
126408S	4x8mm Set Screw (6)	507233	LCG Shock Ball End & Nylon Set (4)	507619	Shock Membrane (4)
130114	3x6x1mm Washer(10)	507234	Universal Driveshaft Nunchaku Type (2)	507620	Shock Piston (4)
130124	3x7.5x1.5mm Washer (10)	507234-1	Drive Shaft Only for Nunchaku (2)	507621	Shock Shaft (2)
130125	3x6x4mm Washer (6)	507234-2	Joint for Nunchaku (2)	109102-1M	Diff Oil 20ml #1000000
130129	5.2x12x0.2 Washer (10)	507234-3	Wheel Axel for Nunchaku (2)	K6310-400	Shock Oil 70ml/2.5oz #400
130130	2.6X6X0.3mm Washer (10)	507234-4	Joint Hinge Pin for Nunchaku (4)	K70020	Lightweight Antenna Rod Mount (w/antenna rod) Orange
130131	3.1x8x0.1mm Washer (10)	507234-5	G-Clip for Nunchaku (4)		
150306ST	3x6x2.5mm Steel Bearing (4)	507234-6	15x8.5mm Pin for Nunchaku (4)		
150508ST	5x8x2.5mm Steel Bearing (4)				
150510ST	5x10x4mm Steel Bearing (4)				

- Perfectly Symmetric Flex
- 2.2mm ECO-Graphite Chassis
- 2.0mm ECO-Graphite Upper Deck
- 3.0mm ECO-Graphite LCG Shock Towers
- High Quality Constant Volume LCG Shock Absorbers
 - Matched and Optimized Shock Springs for TC
 - Nunchaku Type Universal Driveshafts
 - Gear Differential with 4 Composite Gears
- 7075 Aluminum Hard-Coated Spur Gear Holder
 - 48P/80T High Quality Spur Gear
 - Front/Rear Anti-Roll Bar
 - Front Balancing Clump Weight
 - Quick Release Battery Holder
- Hard Suspension Arms, Uprights and Caster Blocks
 - ST. Hardened Steel Suspension Shaft
 - Hard Plastic Lower Bulkheads
 - Hard Plastic Upper Bulkheads
 - Hard Plastic Ball Raced Steering Bell Crank
 - Low- Friction Ball Bearings
 - Low-Friction Belts
 - Adjustable Belt Tension via Eccentrics
 - Heavy Duty Body Posts
 - High Density Foam Bumper



FACTORY SETUP SHEET

TRACK CONDITIONS

- TYPE Carpet Asphalt
- PLACE Indoor Outdoor Indoor
- SURFACE Smooth Med. Bumpy
- NOTE _____
- SIZE Open Med. Tight
- TRACTION High Med. Low
- TRACK TEMP/AIR TEMP _____° / _____°

FRONT SUSPENSION

Shim: 1.5mm

Track Width: 189 mm

Toe +0-: +1°

Caster: 4°

Camber: -1°

Ride Height: 5.0 mm

Down Stop: 6.5 mm

Anti-Roll Bar: \varnothing 1.3 mm

Gear Diff.: 1000000 wt

Shim: 1.5mm

Camber 0- Shim: 1.0mm Shim: 0mm

Shim: 1.0mm Shim: 1.0mm

Diff. High Low

REAR SUSPENSION

Shim: 0mm

Track Width: 185 mm

Toe +0-: -3°

Camber: -2°

Ride Height: 5.5 mm

Down Stop: 7.0 mm

Anti-Roll Bar: \varnothing 1.1 mm

Shim: 0mm

Camber +0- Shim: 4.0mm Shim: 0mm

Shim: 2.0mm Shim: 1.0mm

SHOCKS

Hole Size: F: 1.2mm R: 1.2mm

Hole In Piston: F: 4.0mm R: 4.0mm

Shock Oil WT: F: 400wt R: 400wt

Shock Springs: F: L 2.7 R: P 2.6

Shock Rebound: F: 0mm R: 0mm

Bladder Note: _____

Thread Length: F: 4.0mm R: 2.5mm

Shock Length: F: 55.7mm R: 55.7mm

BODY

Body: _____

Wing Height: _____

Wing Position: _____

Body Position: _____

ELECTRONICS

Transmitter: _____

Servo: _____

Battery: _____

Note: _____

MOTOR

Brand: _____

Turns: _____

Timing: _____

Note: _____

ESC

Punch: _____

Initial Brake: _____

Drag Brake: _____

ESC Timing: _____

Turbo Timing: _____

TIRES & DRIVE RATIO

Insert: _____

Wheel: _____

Shore/deg: _____

Compound: _____

Tire Temp.: _____

Tire Additive: _____

FL FR RL RR

Drive Ratio: _____

Spur T X 1.9

Pinion T

CUSTOM SETUP SHEET

TRACK CONDITIONS

- TYPE Carpet Asphalt
- PLACE Indoor Outdoor Indoor
- SURFACE Smooth Med. Bumpy
- NOTE _____
- SIZE Open Med. Tight
- TRACTION High Med. Low
- TRACK TEMP/AIR TEMP _____° / _____°

FRONT SUSPENSION

Shim: _____

Track Width _____ mm

Toe +0- _____ °

Caster _____ °

Camber _____ °

Shim: _____

Ride Height _____ mm

Down Stop _____ mm

Anti-Roll Bar _____ mm

Gear Diff. _____ wt

Shim: _____

Shim: _____

Shim: _____

Shim: _____

Shim: _____

Shim: _____

Diff. High Low

REAR SUSPENSION

Shim: _____

Track Width _____ mm

Toe +0- _____ °

Camber _____ °

Ride Height _____ mm

Down Stop _____ mm

Anti-Roll Bar _____ mm

Shim: _____

Shim: _____

Shim: _____

Shim: _____

Shim: _____

Shim: _____

Diff. High Low

SHOCKS

Hole Size: F: _____ R: _____

Hole In Piston: F: _____ R: _____

Shock Oil WT: F: _____ R: _____

Shock Springs: F: _____ R: _____

Shock Rebound: F: _____ R: _____

Bladder Note: _____

Thread Length: F: _____ R: _____

Shock Length: F: _____ R: _____

BODY

Body: _____

Wing Height: _____

Wing Position: _____

Body Position: _____

ELECTRONICS

Transmitter: _____

Servo: _____

Battery: _____

Note: _____

MOTOR

Brand: _____

Turns: _____

Timing: _____

Note: _____

ESC

Punch: _____

Initial Brake: _____

Drag Brake: _____

ESC Timing: _____

Turbo Timing: _____

TIRES & DRIVE RATIO

Insert: _____

Wheel: _____

Shore/deg: _____

Compound: _____

Tire Temp.: _____

Tire Additive: _____

FL FR RL RR

Drive Ratio: _____

Spur _____ T

Pinion _____ T

X 1.9